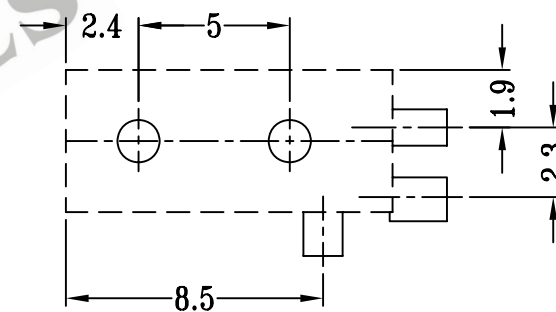
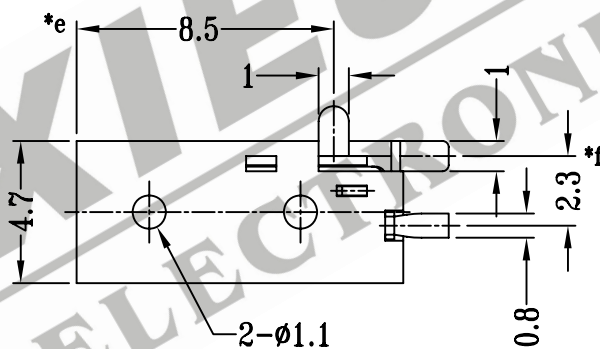
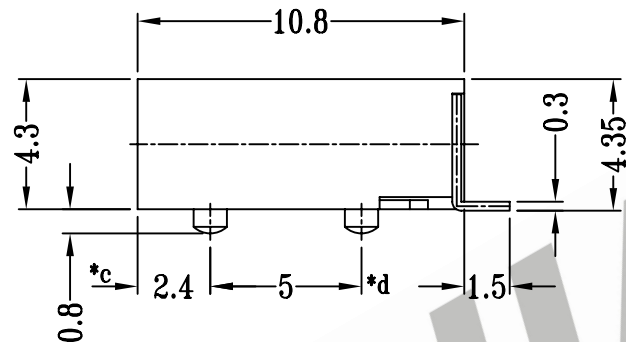
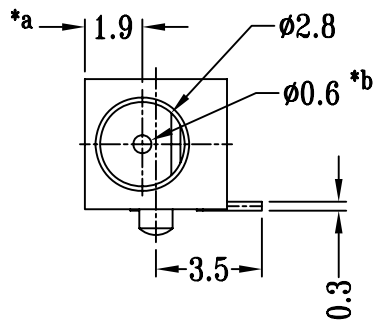
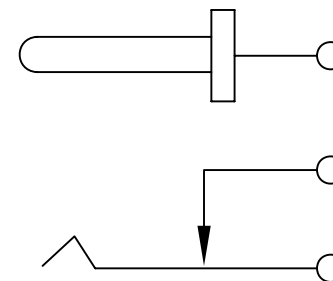


CAD FILE:



P.C.B LAYOUT



SCHEMATIC

注:带"*"表示关键尺寸(6个)

8					TOLERANCE	SHENZHEN XIEJIA ELECTRONICS CO.,LTD.					
7					UNLESS SPECIFIED						
6					WITHIN: 1.5±0.1mm	ISSUE	DATE	DESCRIPTIONS OF REVISION		APPD.	
5				OVER : 1.5±0.2mm							
4	TERMINAL	PBS STRIP	1	Au PLATED OVER Ni PLATED	TITLE : DC POWER JACK			UNIT : mm	DRWG NO.: XJ-DR-DS613-00		
3	SPRING TERMINAL	PBS STRIP	1	Au PLATED OVER Ni PLATED				MODEL: DS-613			SCALE: 4:1
2	CASE	PA46	1	BLACK	ALL MATERIALS MUST BE COMPLIANT TO ROHS						
1	PLUG PIN	PBS WIRE	1	Au PLATED OVER Ni PLATED							
NO.	PARTS	MATERIALS	Q'TY	FINISH							